

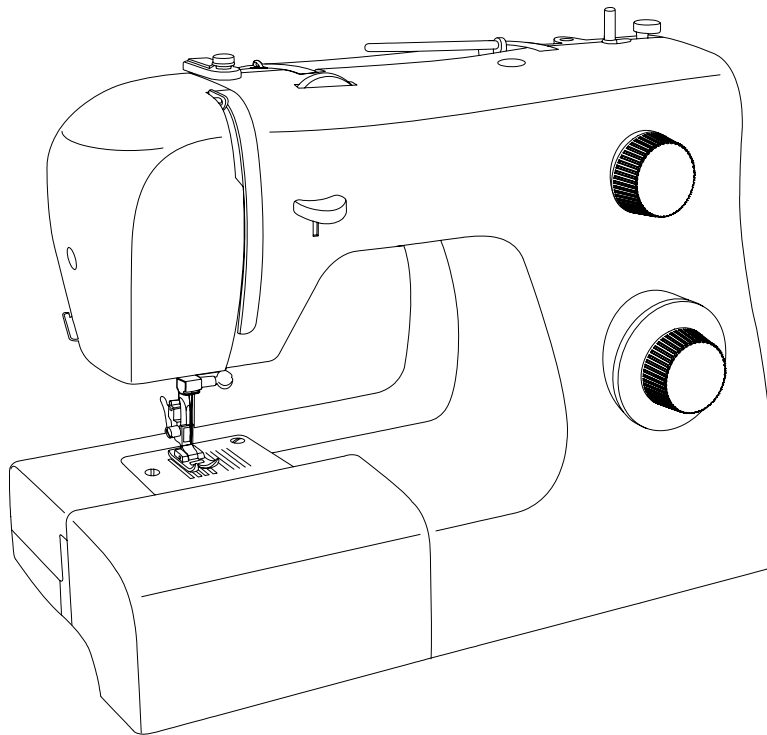


SINGER | Tradition™

2250

2259

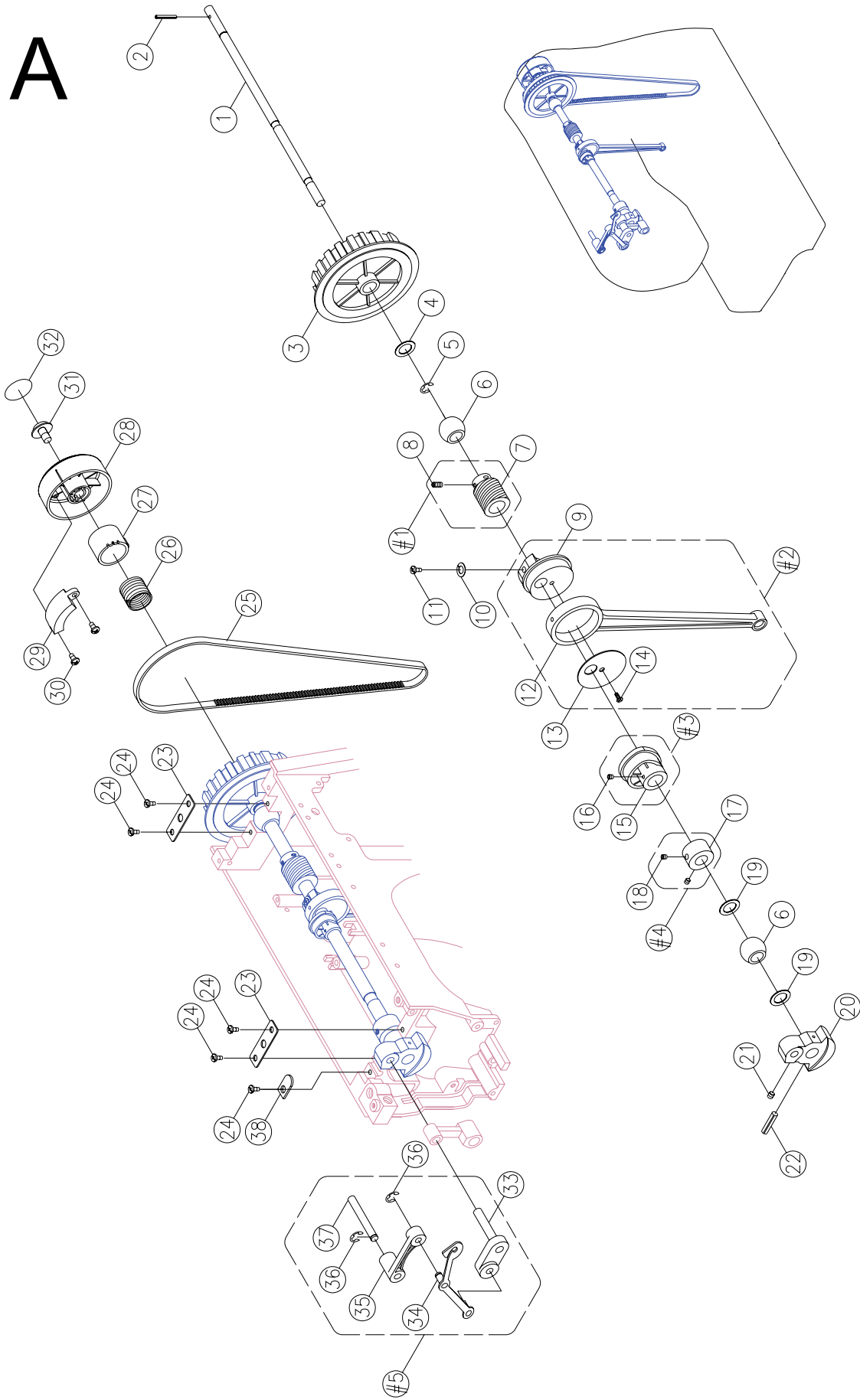
2263



Liste de pièces
Lista de Piezas
Parts List

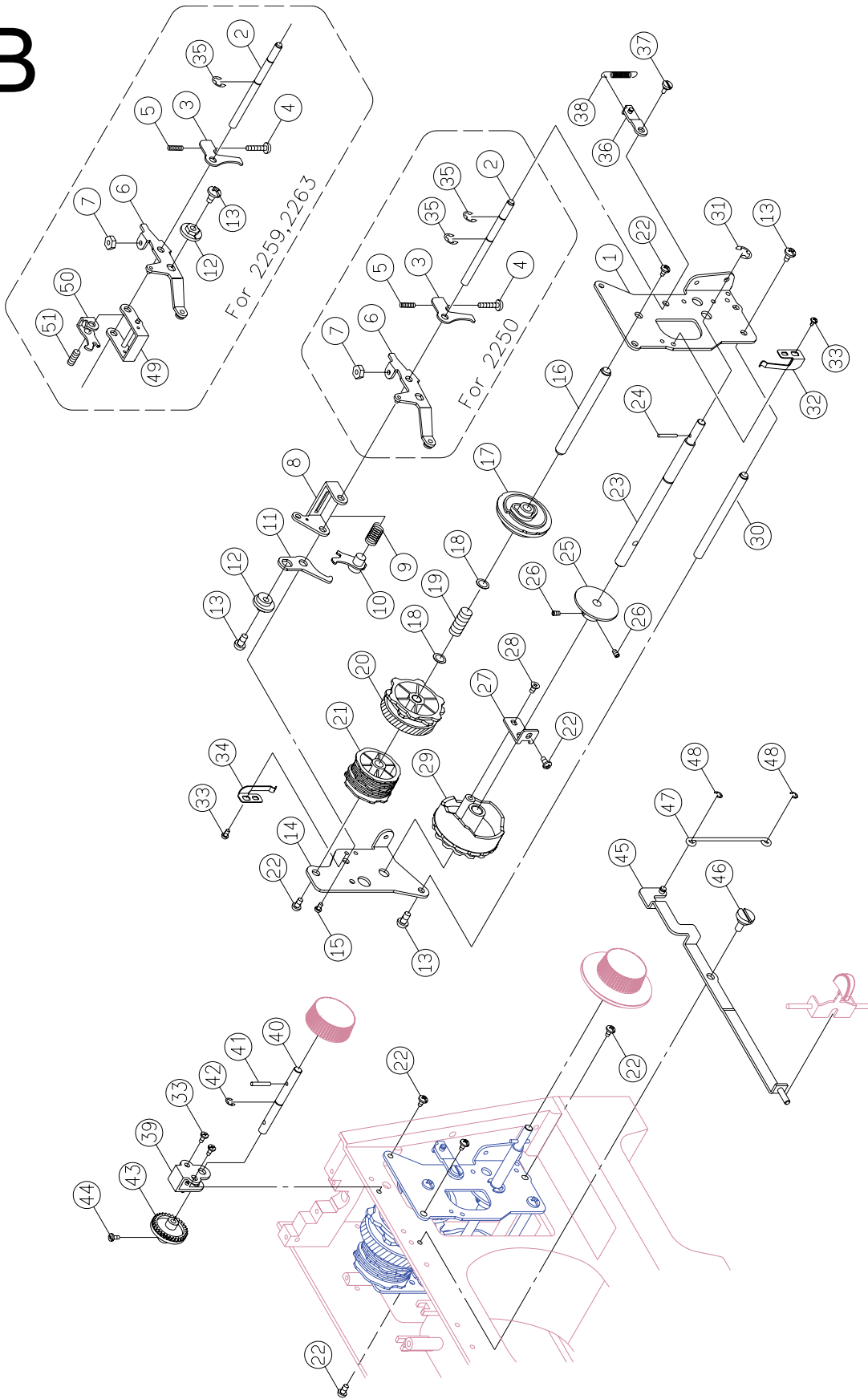
® A registered trademark of The Singer Company Ltd. or its affiliates.
® *Una marca registrada de The Singer Company Ltd. o sus afiliados.*
® *Une marca déposée de The Singer Company Ltd. ou ses filiales.*

A



Pos	Part No.	Description	#1	V880424000	Arm shaft worm complete
1	V60033000	Arm shaft	#2	V60044000	Crank connecting rod complete
2	003 043018	Spring pin□□3*18□	#3	G4A0535000	Feed cam complete
3	E4A0143210	Arm shaft driver belt pulley	#4	R10304000	Arm shaft collar complete
4	004300853	Washer□10.2×15×0.5□	#5	E1A2534000	Thread take up lever complete
5	003010093	E-Ring□ETW-9□			
6	R10293000	Arm shaft busing			
7	V880423000	Arm shaft worm			
8	004240033	Set screw□M4×5□			
9	V60053000	Crank connecting rod cam			
10	004600026	Washer□4.2×7.2×1.2□			
11	004107063	Set screw□11/64×40×12□			
12	V60063000	Crank connecting rod			
13	V60073003	Crank connecting rod cover			
14	004240056	Set screw (M4x6B)			
15	G4A0533000	Feed cam			
16	0042405030*	Set screw□M4×4□			
17	R10313000	Arm shaft collar			
18	004250203	Set screw□M5×5□			
19	004400080	Endure attrition washer (10.2×15×0.5)			
20	V61473000	Arm shaft balance			
21	004240223	Set screw□M4×6□			
22	003043524	Arm shaft balance pin (□3.5×24)			
23	V60113003	Arm shaft bushing holder plate			
24	004240106	Set screw□M4×8A□			
25	007156XXL5	Motor drive belt(156XXL)4.8mm			
26	R10393000	Arm shaft clutch annulus spring			
27	R10403000	Arm shaft collar			
28	V6E0233210	Hand wheel			
29	V61893000	Hand Wheel Balance Plate			
30	004230336	Set screw (M3*10)			
31	0042500016	Set screw (M5x10)			
32	V16883210	Hand wheel decorated plate			
33	V10543000	Arm shaft balance pin			
34	E1A2513001	Thread take up lever			
35	V10523000	Thread take up lever supporter			
36	003010043	E-Ring□ETW-4□			
37	V60223003	Thread take up lever supporter shaft			
38	H13093003	Set washer			

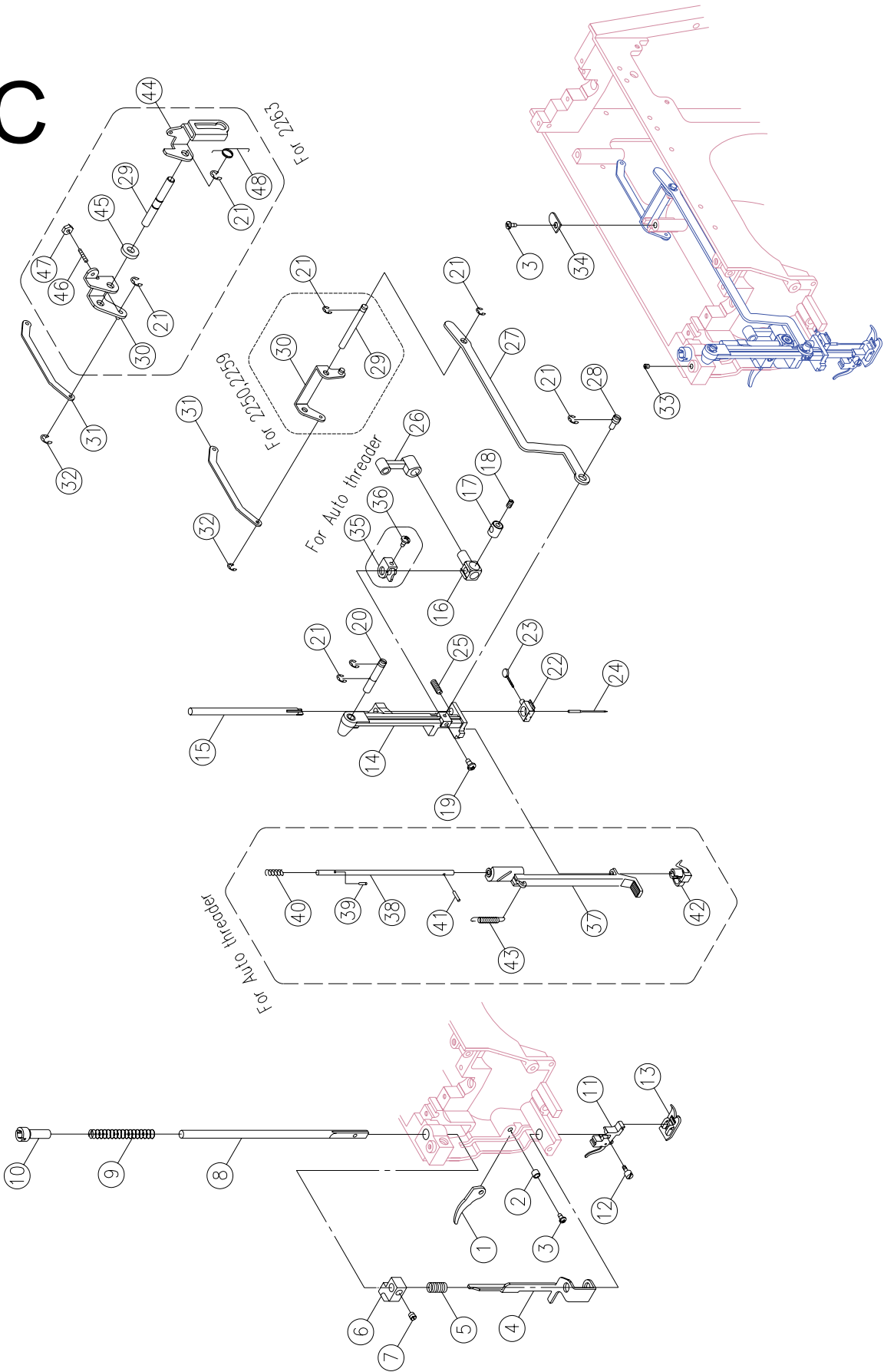
B



Take care the circled parts for the model you need.

Pos	Part No.	Description
1	V610053003	Pattern cam contact plate (front)
2	V60693000	Zig zag cam contact supporter shaft
3	V810153003	BH regulator plate
4	004240706	Set screw
5	V60813003	BH spring
6	V60783003	Feed regulator crank complete
7	004840106	Regulate Set Nut (ALN-4)
8	V60703003	Zig zag cam contact supporter
9	V10693003	Zig zag cam contact spring
10	V60713003	Zig zag cam contact
11	V60723003	Zig zag regulator plate
12	V60733000	Zig zag regulator nut
13	004230316	Set screw (M3*10 B)
14	V60633008	Pattern cam contact plate (back)
15	004230016	Set screw (M3*6 A)
16	V60643003	Pattern cam shaft
17	V60683000	Stitch length cam
18	004300823	Washer (8.2*12*0.25)
19	V60673003	Pattern cam shaft spring
20	V60663000	SS cam
21	V60653000	Pattern cam For 2250,2259, 2263
	VG0053000	Pattern cam
22	004240106	Set screw (M4*8 A)
23	V6E0063003	Pattern selector cam shaft
24	003042516	Hand Wheel bushing pin(ϕ 2.5*16)
25	V60863000	BH pattern selector cam
26	004240503	Set screw (M4*4 C)
27	V60853003	Pattern selector cam plate
28	004240166	Set screw (M4*8)
29	V70053000	Pattern selector cam For 2250,2259
	V60843000	Pattern selector cam For 2263
30	V60823003	Pattern cam contact supporter shaft
31	003010063	E-Ring (ETW-6)
32	V60883003	Stitch length position plate
33	004240056	Set screw (M4*6 B)
34	V60873003	Pattern plate
35	003010053	E-Ring (ETW-5)
35	003010053	E-Ring (ETW-5)
36	V610063003	Reverse plate
37	004230583	Set screw
38	M70093000	Spring
39	V8E0015000	Stitch length dial support plate complete For 2250
	V5E0015000	Stitch length dial support plate complete For 2259,2263
	V6E0055000	Stitch length dial support plate complete
40	V6E0043003	Stitch length dial shaft
41	003042516	Hand Wheel bushing pin(ϕ 2.5*16)
42	003010053	E-ring (ETW-5)
43	V6E0033000	Stitch length gear
44	004235016	Set screw (M3.5*6)
45	V6E0113006	Reverse lever
46	004240883	Reverse lever set screw (M4)
47	V610093003	Reverse rod
48	003010036	E-Ring (ETW-3)
49	V60743003	SS cam contact supporter For 2259,2263
50	V60763003	SS cam contact For 2259,2263
51	V60773003	SS cam contact spring For 2259,2263
#	V8E0024000	Pattern cam contact complete For 2250
#	V7E0024000	Pattern cam contact complete For 2259
#	V5E0024000	Pattern cam contact complete For 2263
#	VGE0024000	Pattern cam contact complete

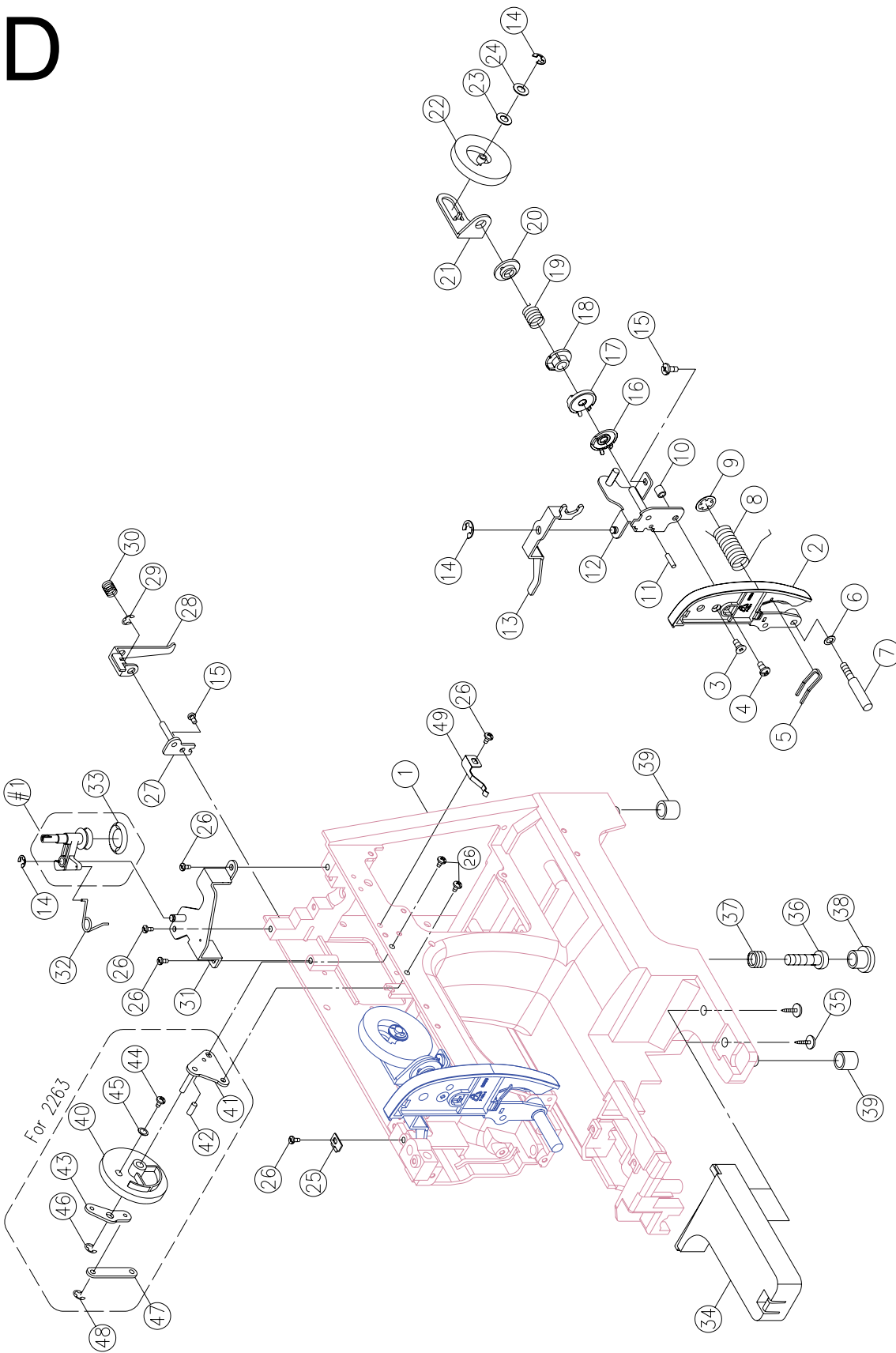
C



Take care the circled parts for the model you need.

Pos	Part No.	Description
1	V880153000	Presser bar lifter lever
2	V60163000	Presser bar lifter lever screw washer
3	004240046*	Set screw (M4x10B)
4	V60153003	Tension lever lifter
5	H10723003*	Tension lever lifter spring
6	H10533002	Presser bar bracket
7	004260023	Set screw □M6×5 □
8	V70153002	Presser bar
9	V70163003*	Presser bar spring
10	K6B0563000	Presser bar regulating screw
11	006910008	Shank complete
12	004106221	Shank screw (9/64×40×8)
13	006806008	Zigzag presser foot complete (J)
14	V61973002	Needle bar supporter
15	V70273000	Needle bar
16	H10253000*	Needle bar bracket (1)
17	H10263000*	Needle bar bracket (2)
18	004240503*	Set screw □M4×0.7×4 C □
19	004106202	Set screw □9/64×40×6 □
20	N80223003	Needle bar supporter pin
21	003 010053	E-Ring □ETW-5 □
22	TA11033002	Needle clamp
23	G10176002	Needle clamp screw
24	006176008	Needle (14#) For SINGER
25	H50583003*	Needle bar supporter spring
26	F4A3343000	Needle bar crank rod
27	V70023003	Needle bar driving rod
28	E1A2433000	Needle bar driving rod pin
29	V70103003	Zig zag cam contact supporter shaft For 2250,2259
	V60993003	Zig zag cam contact supporter shaft For 2263
30	V70093003	Zig zag regulator crank For 2250,2259
30	V61013003	Zig zag regulator crank For 2263
31	V61043003	Rod
32	003010043	E-ring (ETW-4)
33	004240033	Set screw □M4×5 □
34	H13093003	Set washer
35	M70073002	Auto threader stopper
36	004230016	Set screw (M3×6)
37	R10083000	Auto thread lever
38	V61843002	Auto threader shaft
39	003 042014	Auto threader shaft pin (□2×14)
40	R12793003*	Auto threader shaft spring
41	M70043000	shaft pin (□2×6)
42	E1A2125000	Auto threader
43	M70093000	Auto threader lever spring
44	V61003003	Zig zag width regulating cam box
45	004300493	Washer(□14*□6.2*3)
46	004106053	Set screw (9/64*40*11)
47	004706013	Nut (9/64*40 t=3)
48	V61033003	Zig zag width spring

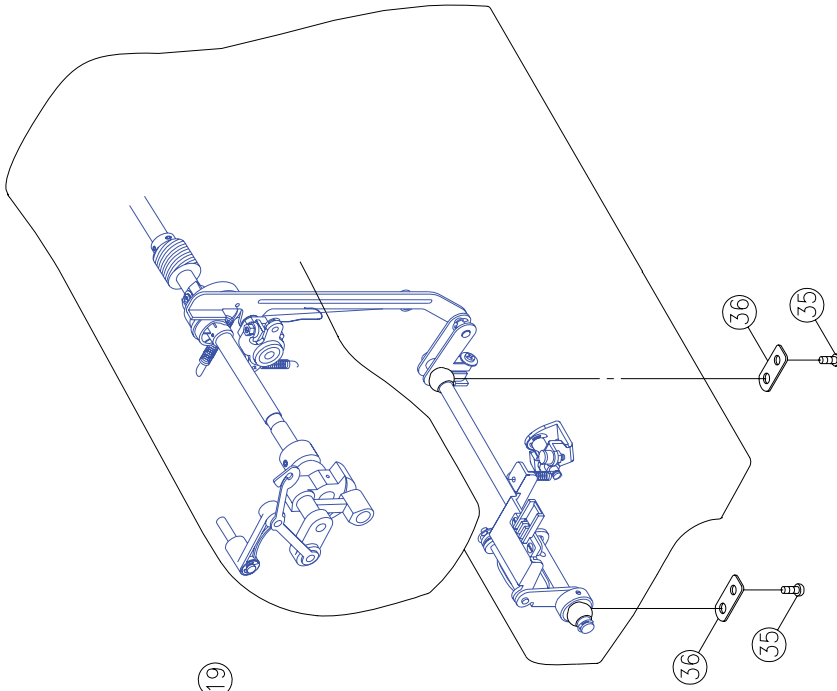
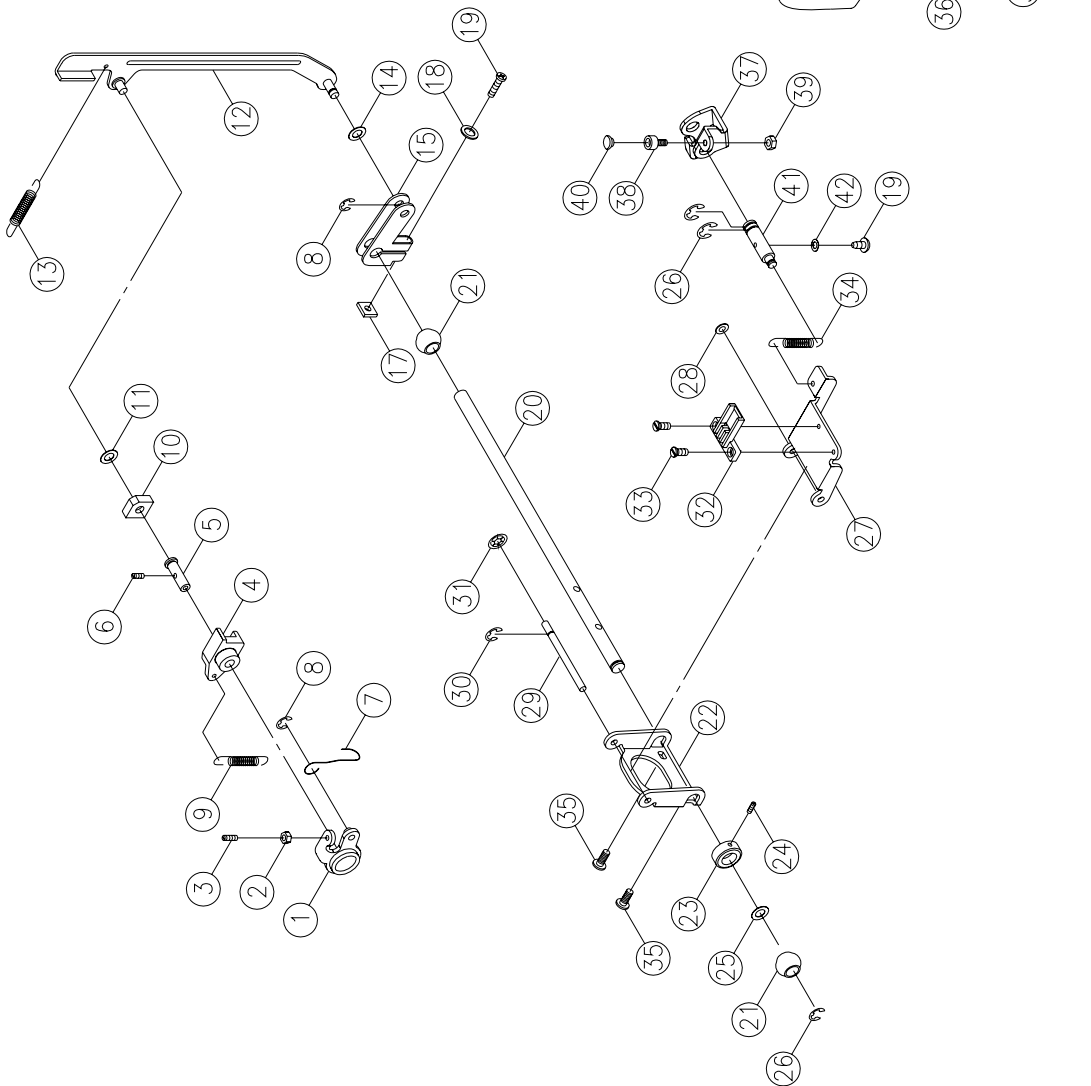
D



Take care the circled parts for the model you need.

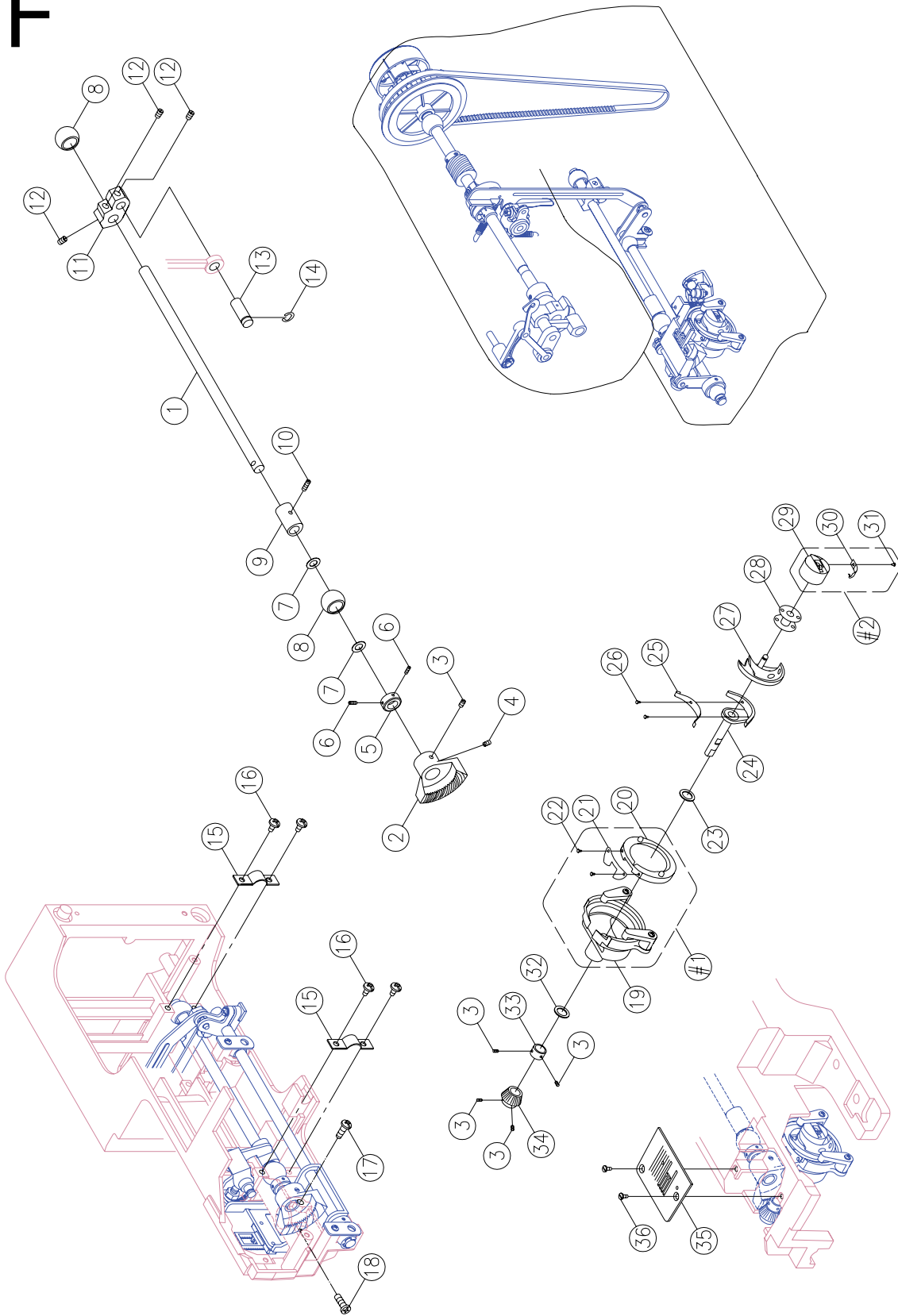
Pos	Part No.	Description
1	V6E0013000	Arm
2	V8EA003210	Dial tension supporter plate cover
3	004240176	Set screw (M4*6)
4	004240146	Set screw (M4*15)
5	V61873001	Thread guide
6	004300136	Washer (4.2*8*0.8)
7	004240982	Set screw (M4)
8	V60303000	Thread guide spring
9	003020053	Thread guide spring washer (C-5)
10	H11103001	Dial tension guide spring tube
11	003043010	Hand wheel bushing pin (3*10)
12	V60243002	Dial tension supporter plate
13	V880203003	Dial tension waft plate
14	003010053	E-ring (ETW-5)
15	004240056	Set screw (M4*6)
16	J30423001	Dial tension disc (1)
17	E1A2333001	Dial tension disc
18	R10593000	Dial tension spring regulator
19	NB1083000	Dial tension spring
20	K50193000	Dial tension regulator
21	V60273006	Dial tension spring plate
22	V8ED003210	Dial tension knob
23	004500360	Washer (WW-5)
24	004300643	Washer (5.2*10*0.5)
25	V60143003	Tension lever regulating plate
26	004240106	Set screw (M4*8)
27	V61213003	Clutch rod plate
28	V61233003	Clutch rod
29	003010053	E-Ring (E-5)
30	V61243003*	Clutch rod spring
31	V6E0023006	Bobbin winder frame plate
32	V61563003*	Bobbin winder crank spring
33	F20213000*	Bobbin winder rubber pulley
34	V610293210	Free arm foot base
35	004 230796	Set screw (M3*8)
36	K82133006	Base plate adjustment screw
37	K82073003	Base plate adjustment screw spring
38	E1A2503000	Free arm base cushion rubber
39	H70043000	Free arm base cushion rubber
40	V6E0333210	Zig zag width dial For 2263
41	V6E0093006	Zig zag width dial plate For 2263
42	003043010	Hand wheel bushing pin (3*10)
43	V6E0073006	Zig zag width crank For 2263
44	004240046	Set screw(M4*10B)
45	004300643	Washer (5.2*10*0.5)
46	003010043	E-Ring (E-4)
47	V61103003	Zig zag width crank rod For 2263
48	003010036	E-Ring (E-3)
49	V61443003	Needle position plate For 2263
#1	V61165000	Bobbin winder crank complete

FF



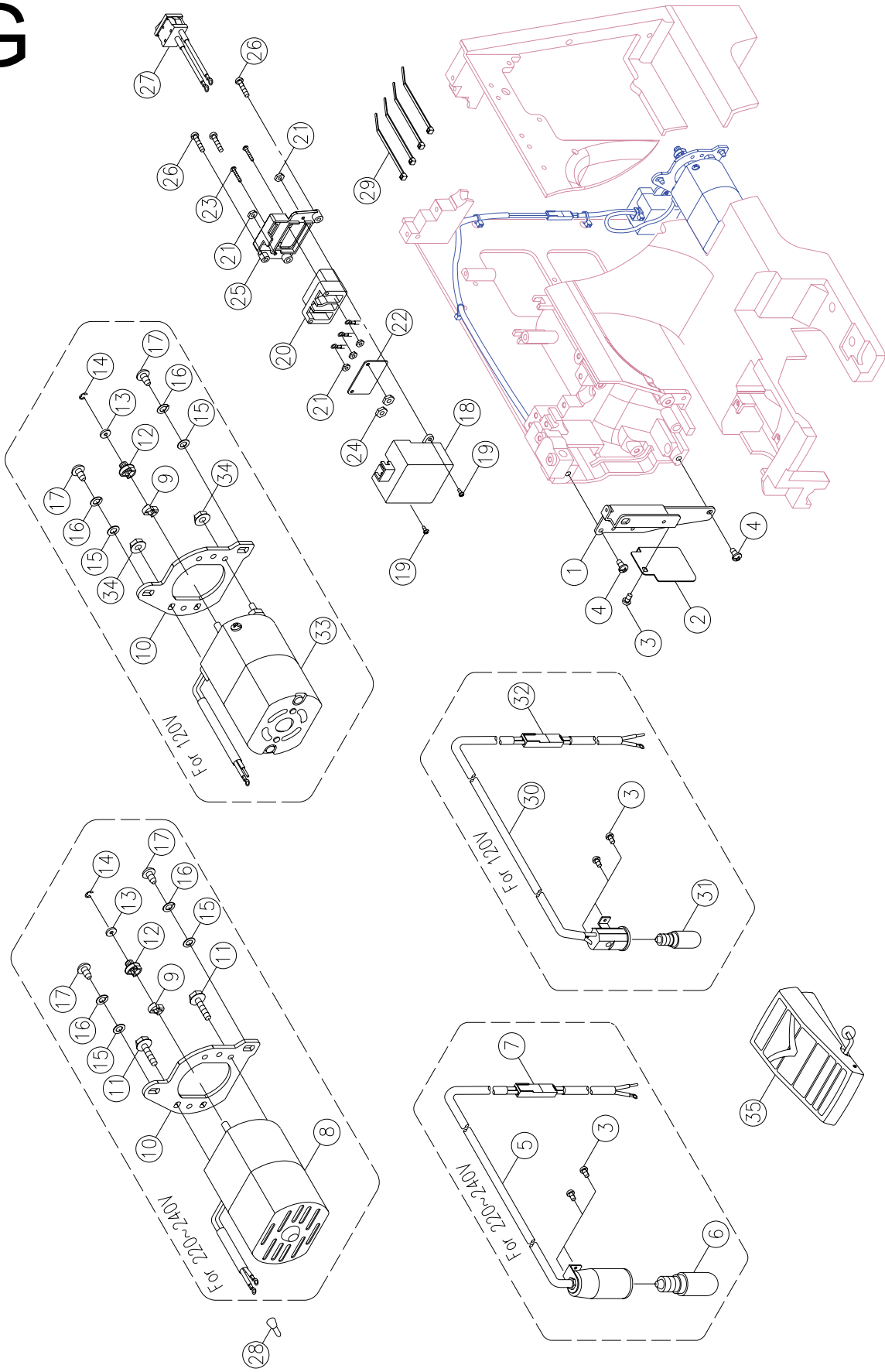
Pos	Part No.	Description
1	V60393003	Feed regulating plate
2	004706013	Nut (9/64*40 t=3)
3	004106053	Set screw (9/64*40*11)
4	V60433000	Feed regulating
5	V60443000	Feed regulating shaft
6	004240223	Set screw (M4*6)
7	V60423003 *	Feed rod
8	003010046	E-Ring (E-4)
9	V70063003*	Feed regulating spring
10	V11533000	Feed regulating block
11	004400180	Endure attrition washer
12	V60453003*	Fork rod
13	V60463003*	Fork rod spring
14	004400450	Endure attrition washer
15	V60553003	Feed rock crank
16	003010043	E-Ring (ETW-4)
17	004840073	Feed rock crank Nut (M4)
18	004300093	Washer (4*8*0.5)
19	004240146	Set screw (M4*15)
20	V60483000	Feed rock shaft
21	V60343000	Feed rock bushing
22	V60493003	Feet rock frame
23	H11943003	Pattern cam shaft collar
24	004240503	Set screw (M4*4)
25	004400410	Endure attrition washer
26	003010063	E-Ring (ETW-6)
27	V60503003	Feed dog frame
28	004300136	Washer (4.2*8*0.8)
29	V60513003	Feed dog frame shaft
30	003010036	E-Ring (ETW-3)
31	003090043	Nut(SPN-4)
32	V620053000	Feet dog
33	004230056	Set screw (M3*5 B)
34	V60533003	Feed dog frame spring
35	004240106	Set screw (M4*8)
36	V60563003	Bushing holder plate
37	V60583003	Feed lifting rock crank
38	004250323	Sew screw
39	004840022	Nut (M4 t=3)
40	K81243000*	Sew screw knob
41	V60593003	Feed lifting rock shaft
42	004600026	Washer (4.2*7.2*1.2)

T



Pos	Part No.	Description
1	V620223000	Lower shaft
2	V620473000*	Lower shaft gear
3	004111043	Lower shaft gear set screw
4	004111033	Lower shaft gear set screw
5	V11553003	Lower shaft collar
6	004240503	Set screw (M4*4)
7	004400410	Endure attrition washer
8	V60343000	Feed rock bushing
9	V61533000	Feed lifting rock cam
10	004240223	Set screw (M4*6)
11	V60363000	Crank connecting rod crank
12	004250203	Set screw (M5*5)
13	V10833003	Crank connecting rod crank pin
14	003010053	E-Ring (ETW-5)
15	R11643003	Feed rock bushing holder plate
16	004240106	Set screw (M4*8)
17	004107293	Set screw □ 11/64×40×4 □
18	004240046	et screw (M4*10B)
19	V11003002*	Open shuttle race
20	V11573001*	Shuttle hook holder
21	V11583002*	Shuttle hook holder spring
22	H71093003*	Shuttle hook holder spring screw
23	004400800	Endure attrition washer (7.6×12×0.13)
24	K81123002*	Shuttle driver
25	K81143003*	Shuttle driver spring
26	004103043*	Shuttle driver spring screw
27	V62043000	Shuttle hook (4.6mm)
28	006066008	Bobbin
29	H71186001*	Bobbin case
30	H13803001*	Bobbin case spring
31	H13973002	Bobbin case spring set screw
32	004400210	Endure attrition washer (8.2×16×0.5)
33	H71153003	Shuttle driver shaft collar
34	V620483000	Shuttle driver shaft gear
35	V620033001	Needle plate
36	004240851	Needle plate complete set screw
#1	V10995000	Open shuttle race complete
#2	H71185000	Bobbin case complete

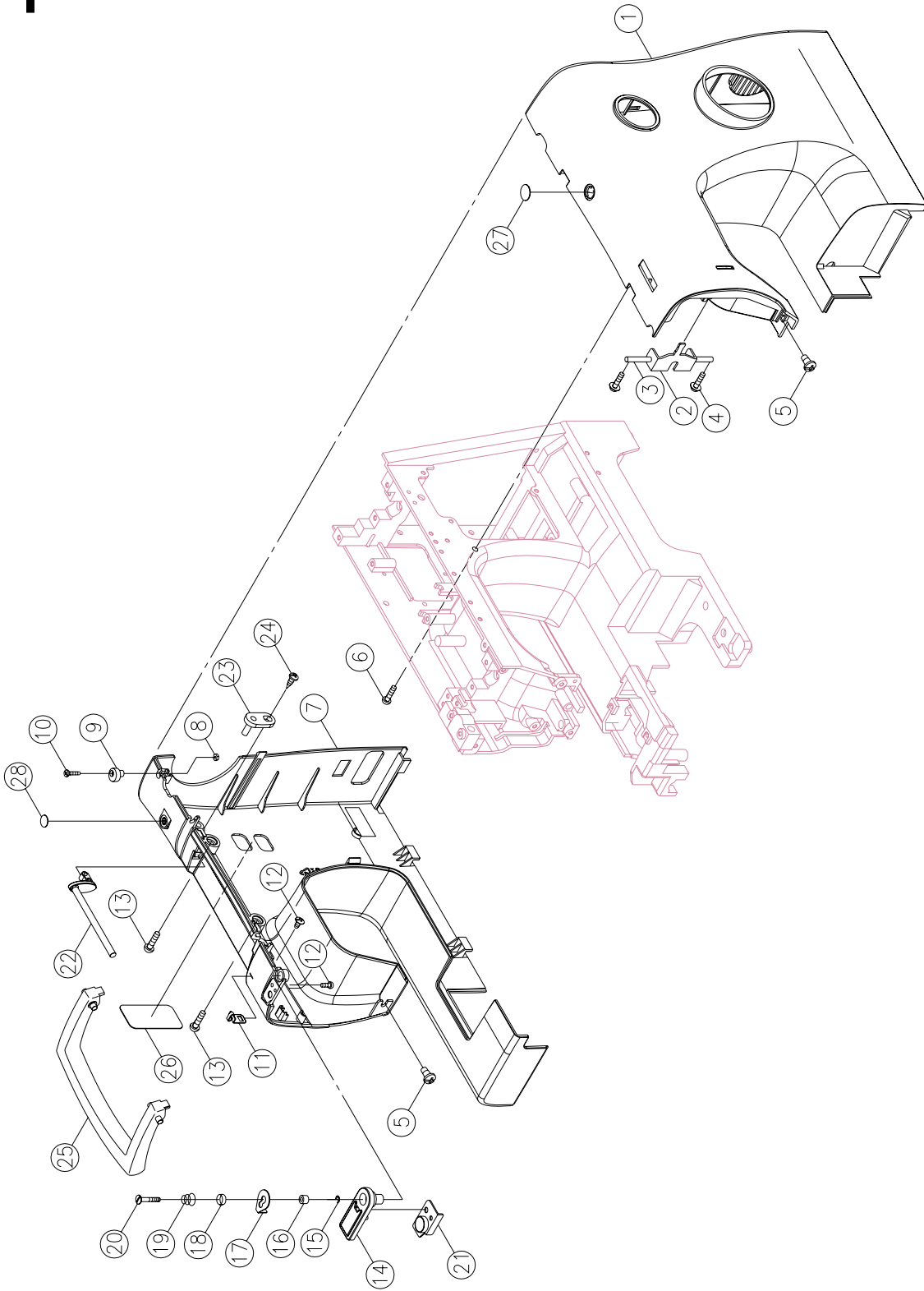
G



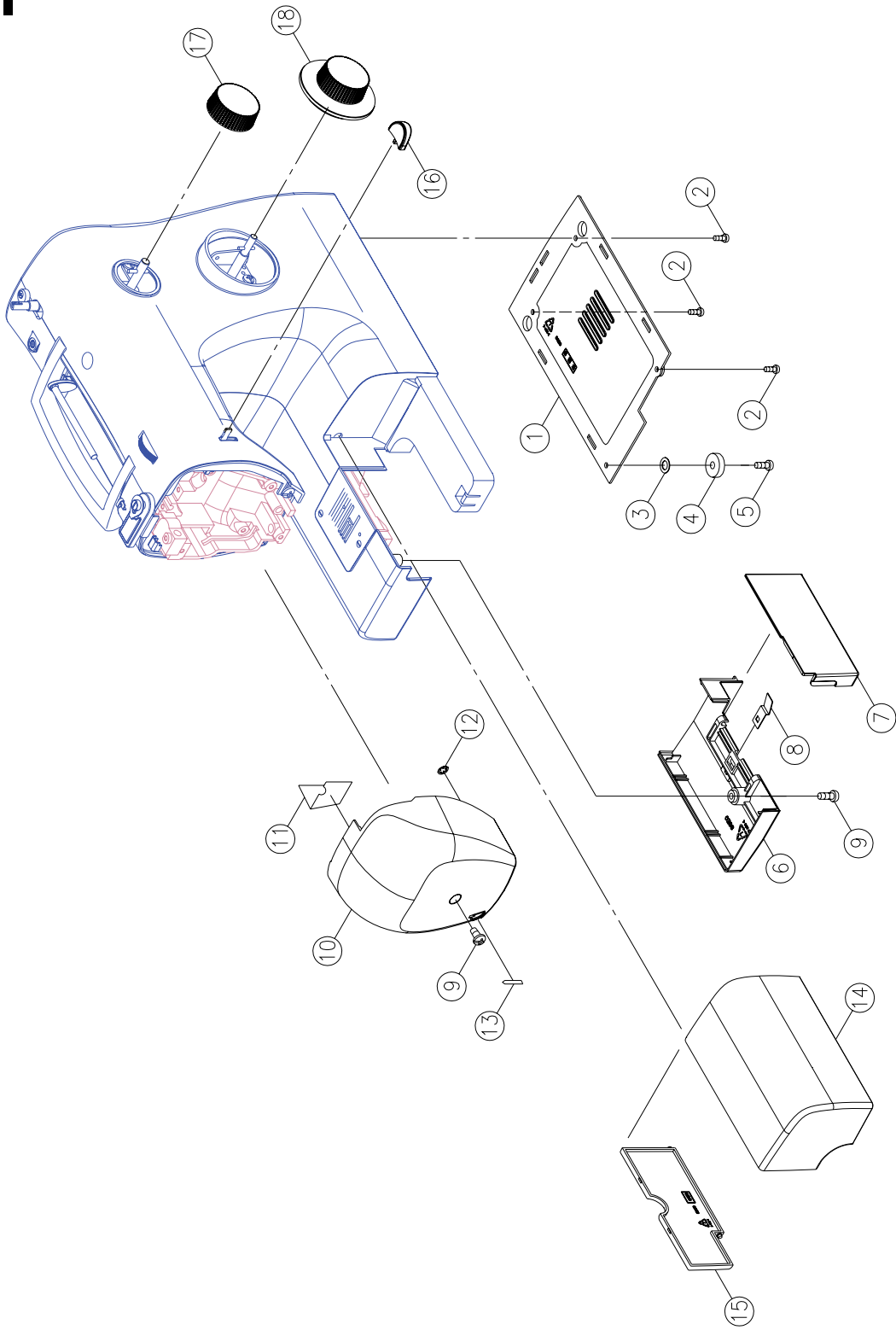
All voltage application & spec, please check next page.

Pos	Part No.	Description
1	V61283006	Lamp bracket
2	VG40123000	Shield
3	004 230056	Set screw (M3*5 B)
4	004 240106	Set screw(M4*8)
5	002 423118	Lamp holder complete (for 220V-240V)
6	005 240011	Lamp (15W E-12)(for 240V)
7	002 424118	Lead wire ass'y (for 220V-240V)
8	001 164209	Motor complete (HF(S)-07250) (for 230V)
	001V881001	Motor complete (for 220V) KR
9	008 059302	Cushion rubber
10	002 397025	Motor bracket
11	004 241428	Set screw (M4*10.2) (for 220-240V)
12	002396029*	Belt wheel
13	002 145029	Motor feed regulator collar
14	003 010036	E-Ring (ETW-3)
15	004 300306	Washer (5.4*10*0.9)
16	004 600296	Spring washer (5.2*9*1)
17	004 250086	Set screw (M5*12)
18	002 248129	Receptacle holder cover
19	004 230286	Set screw (M3*8 B)
20	002 624129	Receptacle
21	004 840120	Nut (M3*4)
22	002 621129	Concert insulation plate
23	004 230865	Set screw (M3*20)
24	004 830016	Nut (M3 t=2.3)
25	V6E0243210	Receptacle holder
26	004 240146	Set screw (M4*15)
27	002 425118	Switch ass'y
28	AA0463000	End termed
29	002 027129	Cord clip
30	002 433418	Lamp holder complete (for 120V)
31	005 120021	Lamp (10W) (for 120V)
32	002 434618	Lead wire ass'y (for 120V)
33	001 351109	Motor complete (HF-07150) (for 120V)
34	004 840131	Nut (M4 t=5.5)(for 120V)
35	001 165209	Foot controller (KD-2902) (for 230V)
	001 352109	Foot controller (KD-1902) (for 120V)
	002V881004	Foot controller (KD-2902) (for 220V) KR

H



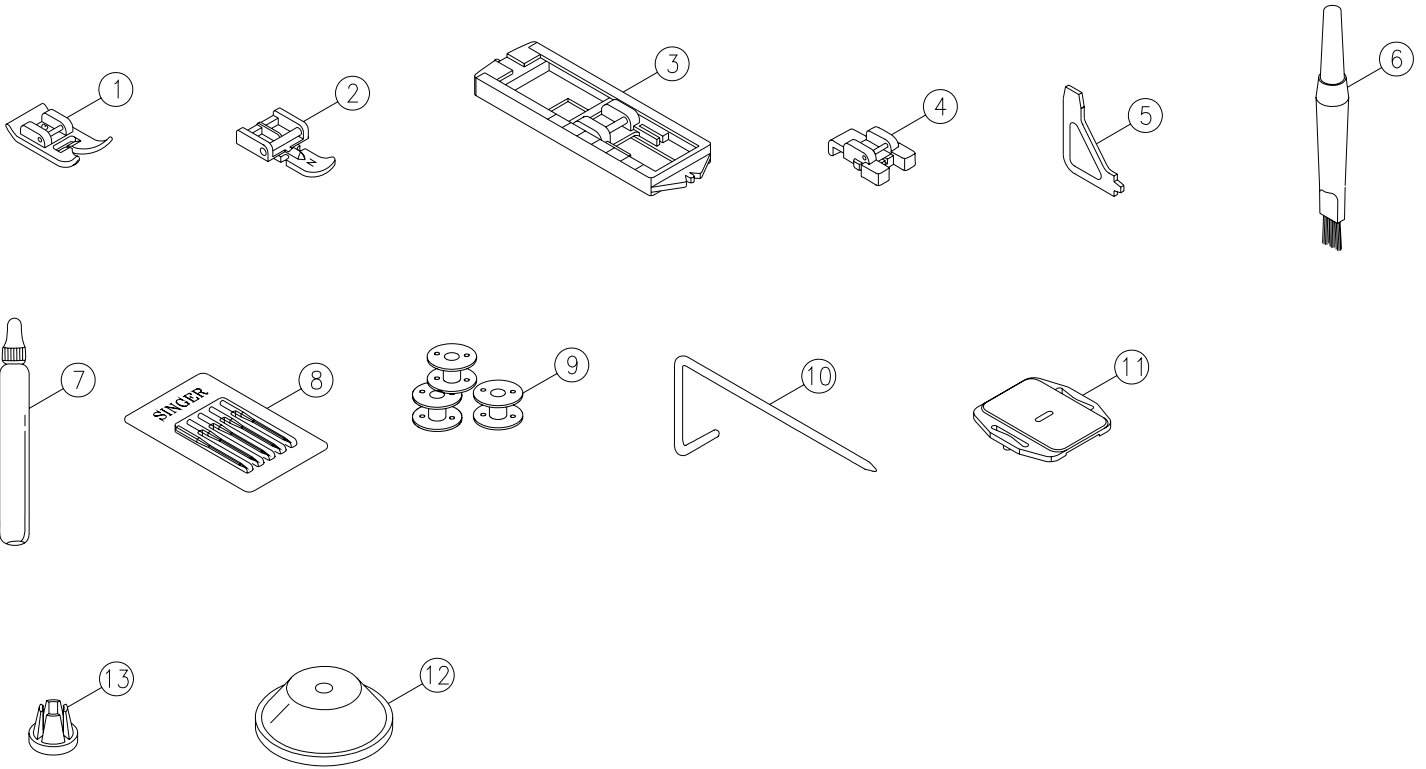
Pos	Part No.	Description
1	V8EC003210	Front cover For 2250 Front cover For 2259 Front cover For 2263
2	V6E0253006	Reverse Dial Support Plate
3	K6B0343001	Reverse Dial Support Shaft
4	004231016	Set screw (M3*5 B)
5	004240106	Set screw (M4*8)
6	004240186	Set screw(M4*15)
7	V8EB003210	Back cover
8	004706013	Nut (9/64*40 t=3)
9	E1A2393000	Bobbin winder stopper
10	004106162	Set screw (9/64*40*16 B)
11	P3A1663001	Thread guide
12	004230216	Set screw
13	004240306	Set screw (M4*10 B)
14	P3A1483210	Bobbin winder thread guide disc
15	003010036	E-Ring □ETW-3 □
16	P3A1523006	Spacer
17	P3A1513001	Bobbin winder thread guide
18	P3A1463001	Bobbin winder spring disc
19	P3A1533001	Bobbin winder thread guide spring
20	P3A1503001	Bobbin winder thread guide adjusting
21	P3A1445000	Thread guide complete
22	V6E0323210	Spool pin base
23	K6B0404000	Spool Pin Plate Complete
24	004230796	Set screw(M3*8)
25	V6E0283210	Handle
26	V61523210	Back cover Plate
27	V61503210	Front cover Plate (1)
28	V410123210	Spool Pin Plate



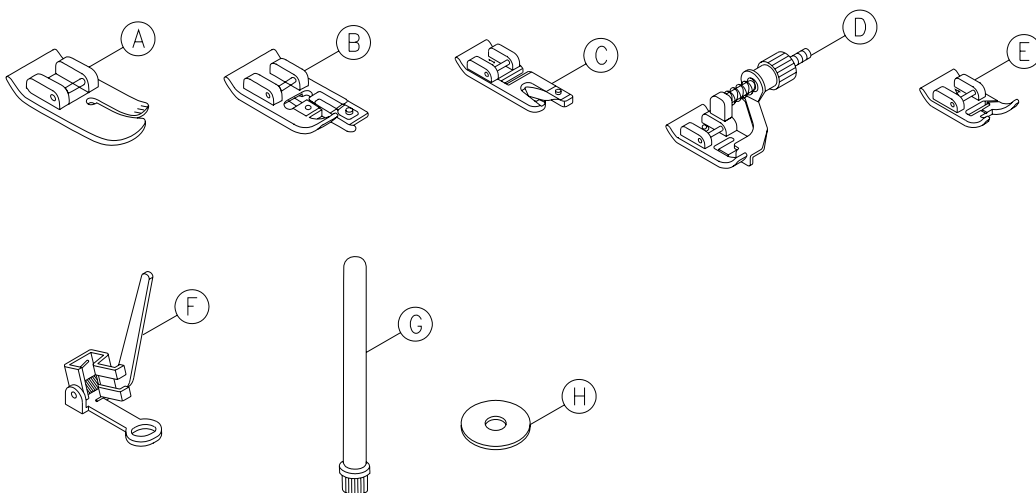
Pos	Part No.	Description
1	V6E0223210	Bottom plate
2	004240106	Set screw (M4*8)
3	004300586	Washer (5.2*16*1.0)
4	J31413000	Free arm base felt
5	004240146	Set screw (M4*15)
6	V6E0153210	Free arm base
7	R12453003	Hook cover spring
8	V6E0173210	Hook cover
9	004241046	Set screw (M4*10A)
10	V8EF003210	Face plate For SINGER
11	V6E0163000	Heat resistant plate
12	003020053	Washer (CSTW-5)
13	V630593000	Thread cutter
14	V6E0203210	Sewing table
15	V6E0213210	Sewing table cover
16	V6E0133210	Reverse button
17	V8ER003210	Stitch length dial For SINGER
18	V8ED013210	Selector dial For 2250
		Selector dial For 2259
		Selector dial For 2263

J

Standard accessories



Optional accessories



Pos	Part No.	Description
1	006806008	Zigzag presser foot complete (J)
2	006905008	Zipper foot(I)
3	006909008	Buttonhole foot
4	006914008	Button sewing foot
5	006093009	Screw drive (L)
6	006099008	Brush & Seam ripper complete
7	006013009	Oil bottle
8	006175008	Pack of Needle (14#.16#.11#)
9	006066008	Bobbin
10	006008001	Seam guide
11	006117009	Darning plate
12	R12373210	Spool set plate (big)
13	TA10943210	Spool set plate (small)

Optional accessories

A	006916008	Quilting foot
B	006803008	Over casting foot
C	006800008	Hemmer foot
D	006812008	Blind hem foot
E	006804008	Satin stitch foot
F	006016008	Embroidery